

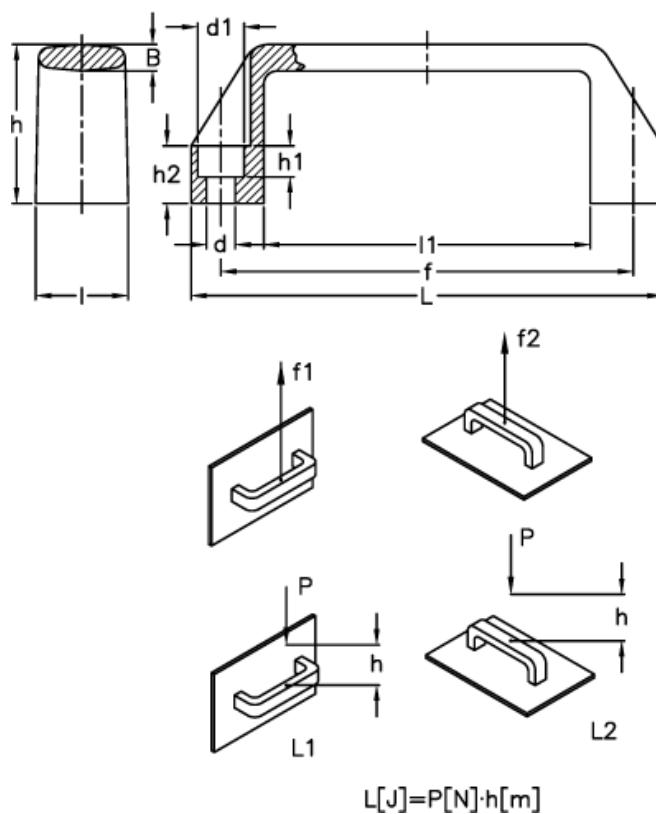
Data Sheet



Article number: 2304037281

Description: E+G Handle
M.443/260 N-CH

Measures



B	= 9	h2	= 20
d	= 10.5	l	= 30
d1	= 16.5	L	= 260
f	= 235 +/- 1	l1	= 204
F1 (N)	= 1600	L1 (J)	= 17
F2 (N)	= 1700	L2 (J)	= 11
h	= 54		
h1	= 10.5		